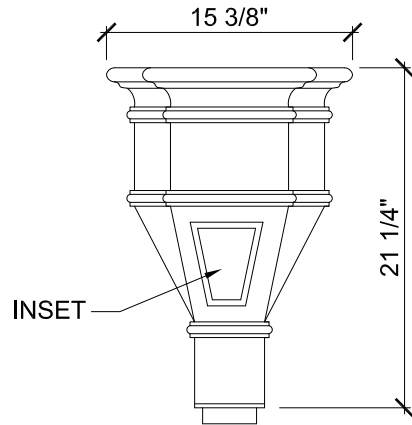
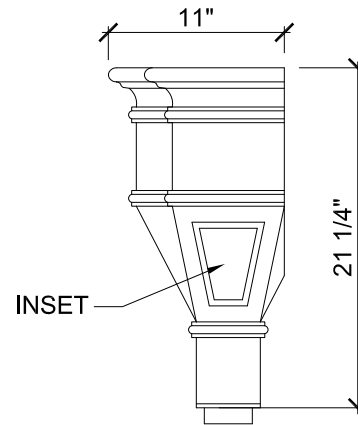


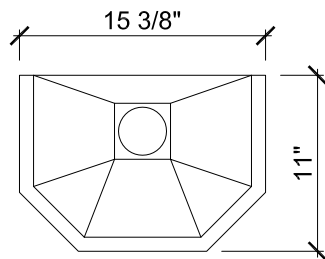
# Kings Gate Leader Head



FRONT VIEW



SIDE VIEW



TOP VIEW

SCALE:  
1" = 1'-0"

HANS LIEBSCHER  
Custom Copper Works Design & Sheet Metal, Inc.  
www.hanscopper.com  
P: 760.471.5114 F: 760.471.7884

PRODUCT:

Kings Gate Leader Head

DWG.

1.1