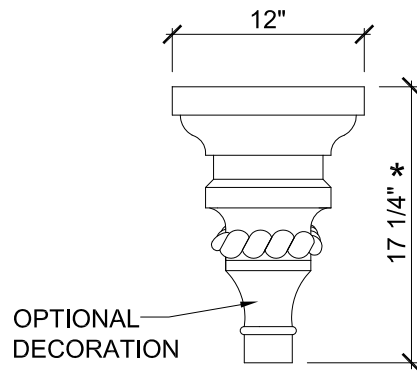
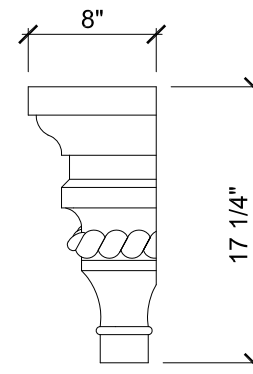


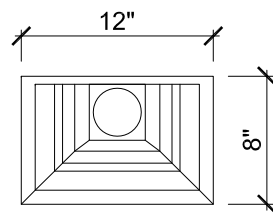
Queens Ridge Leader Head



FRONT VIEW



SIDE VIEW



TOP VIEW

* OVERALL HEIGHT INCREASES
w/ OPTIONAL DECORATION

SCALE:
1" = 1'-0"

DWG.

1.1

HANS LIEBSCHER
Custom Copper Works Design & Sheet Metal,
www.hanscopper.com
P: 760.471.5114 F: 760.471.7884

PRODUCT:

Queens Ridge Leader Head